

POWER TRANSFER DOOR LOOP - DL 500 TB

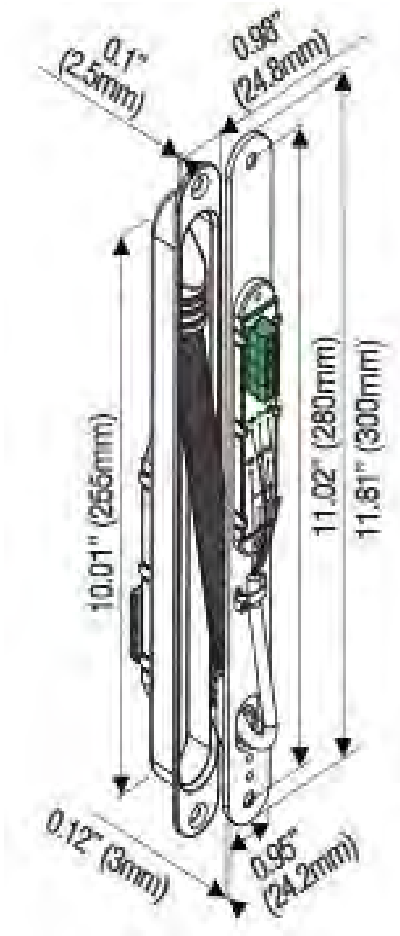
Power transfer door loops DL-500 TB offer a protective means of running wires from the frame to door installed with electrical devices, such as electrified locks. These power transfer door loops **prevent foreign objects from damaging the wires** and also produce aesthetically pleasing appearance. Surface and concealed mortise mount power transfer loops are provided.

PROPERTIES

Mortise mount:

- 8 conductor and 24 gauge,
- detachable terminal blocks,
- round corner,
- Zinc alloy case with ivory finish,
- Stainless steel flex conduct,
- for wood frame.

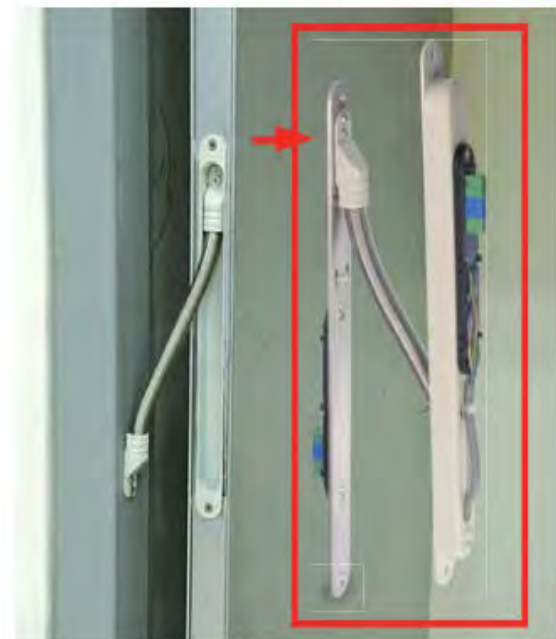
DIMENSIONS



TECHNICAL SPECIFICATIONS

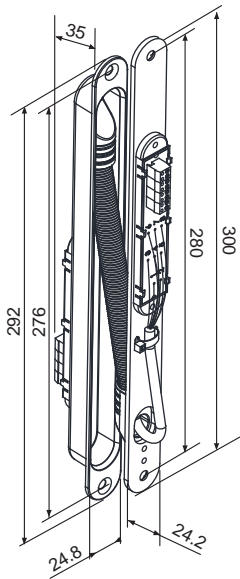
Model:	DL 500 TBL 500 TB
Connector material:	Zinc alloy
Conduit material:	Stainless steel

STUCTURE DIAGRAM



The leader in door opening solution
www.zadlabacipruchodky.cz
www.acssolution.cz

Updated: 9/2022 | ACS Solution s.r.o. Specifications are subject to change without prior notice. Note: The colors of the images in this brochure may differ from the actual colors.



Unit: mm

DL-500-TB

Power Transfer Door Loop
(With Plug-in Terminal Block)
Installation Instructions

【Suitable for wooden door frames with round drilling holes】

Accessories



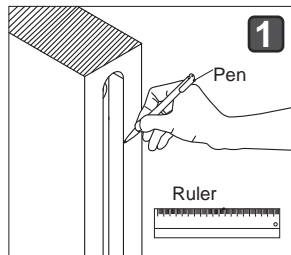
5x50 Wooden screws x 4



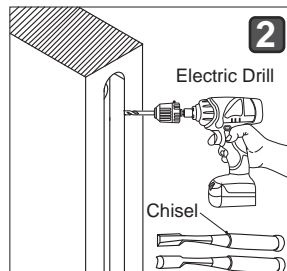
Shim x4

1

Installation Steps

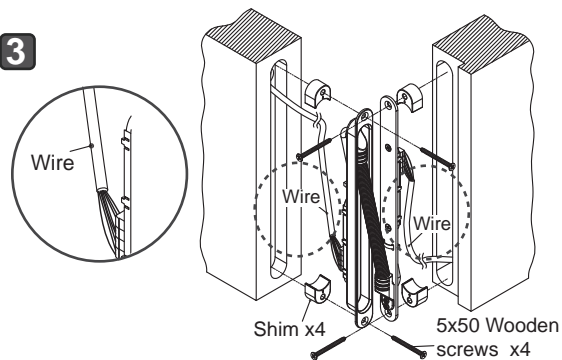


- Measure the dimension and depth of DL-500-TB as per diagram on the left and mark on the frame.



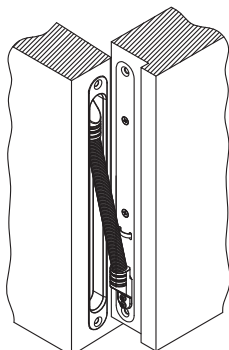
- Drill holes in the marked positions on the door and frame to the deepest depth and trim with the chisel.

3



- Place the shim behind the DL-500-TB case. Connect the wires to the terminal block located on the both ends of DL-500-TB and test the unit.
- Use 5x50 wooden screws to secure the unit and fix tightly with the front locking piece.

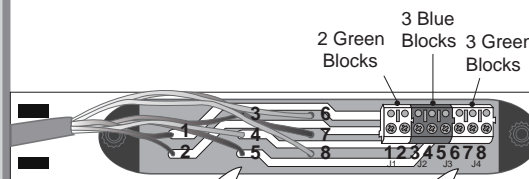
4



- Make sure the DL-500-TB is completely embedded into the door and frame.

2

Terminal Block Wiring Diagram



Wire

1 Red	+
2 Black	-
3 Grey	NC
4 White	COM
5 Orange	NO
6 Yellow	NC
7 Green	COM
8 Blue	NO

Terminal Block

2 Green Blocks	1 Red +
	2 Black -
3 Blue Blocks	3 Grey NC
	4 White COM
	5 Orange NO
3 Green Blocks	6 Yellow NC
	7 Green COM
	8 Blue NO

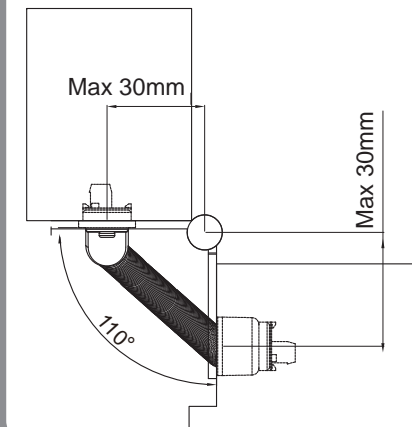
Note:

Wire color numbers match terminal block numbers, and the terminal blocks on both sides are labeled with the same number.

For each side, the Red wire 1 is connected to the terminal 1 of the Green Block, the Black wire 2 is connected to the terminal 2 of the Green Block, and so on.

3

Door Opening Angle & Installaioth Distance



4

Concealed Door Loop Installation

